

# Tutor Plus Getting Started

**01 - Components for Setup**

**02 - Installation**

**03 - Connectivity**

**04 - Setting Up**

**05 - Stylus**

[www.kneura.com](http://www.kneura.com)

**Get Product Support**

Scan QR to access support resources

Mail us : [support@kneura.com](mailto:support@kneura.com)



---

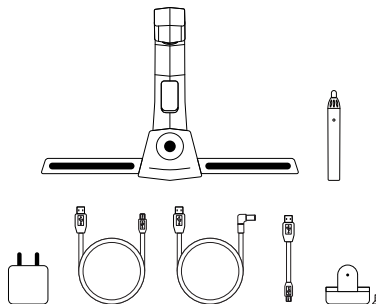
# Components for Setup

---

# 01

## In the box

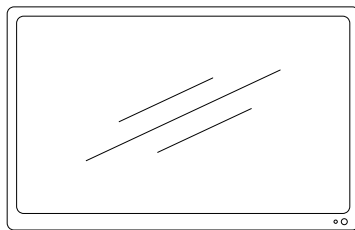
Tutor Plus  
Micro USB Cable  
Power Cable  
Power Adapter  
Stylus with Charging Cable  
Mounting Accessories



---

## Not in the box

HDMI Cable  
Measuring Tape  
Marker  
Display Panel  
Computer

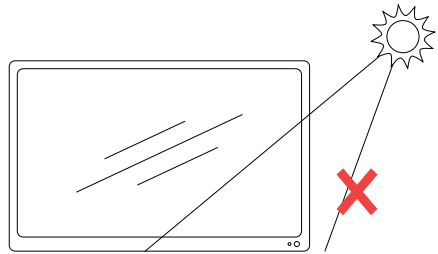


# Installation

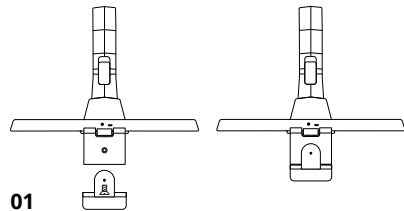
# 02

## Basic Guidelines

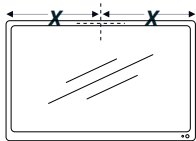
Take care not to place the panel in direct sunlight. For seamless experience, the display panel has to be mounted firmly. If needed, add extra padding (ex: sponge) for support between the panel and the wall to prevent it from shaking while writing.



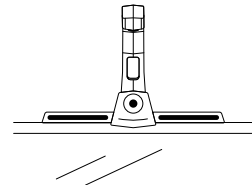
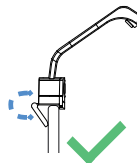
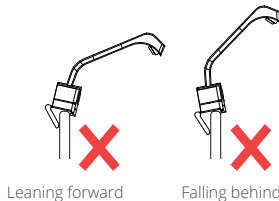
01 - Use M6 screw to fix Kensington lock on the device



02 - Measure and mark the top centre of the display. Place the device firmly on the display centre and use the clip and adhesive tape for secure & safe positioning. Make sure the device is not leaning forward or falling behind.



02



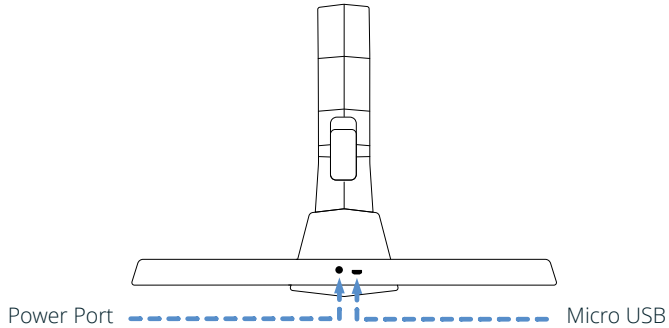
---

# Connectivity

# 03

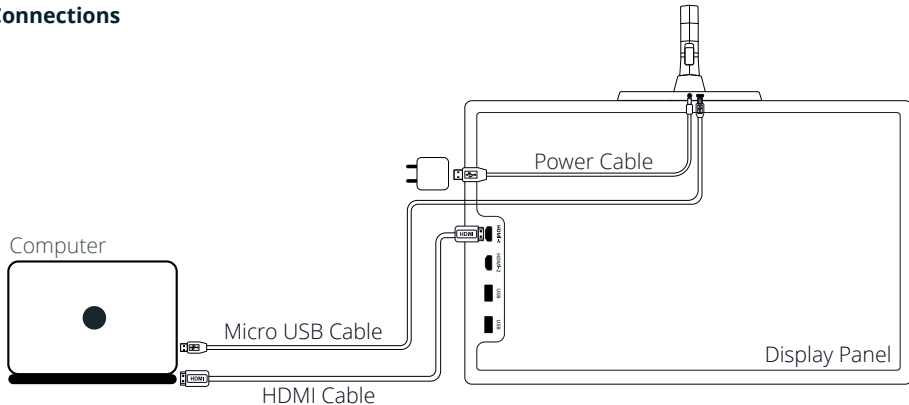
---

## Port Description



---

## Connections



---

# Setting Up

# 04

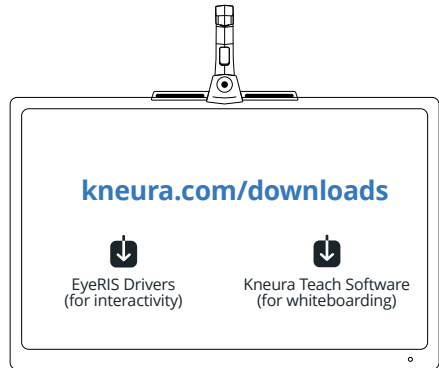
---

## Installing Drivers

Go on: [kneura.com/downloads](https://www.kneura.com/downloads) and download

- ↓ EyeRIS Drivers (for interactivity)
- ↓ Kneura Teach Software (for whiteboarding)

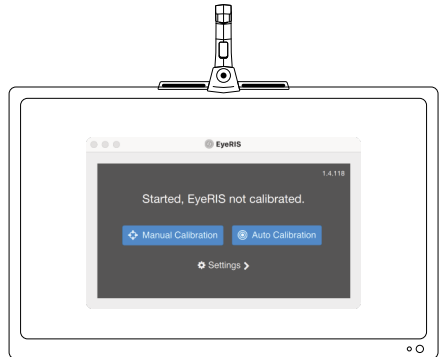
Run the downloaded files, setup window will guide you to Install the softwares



---

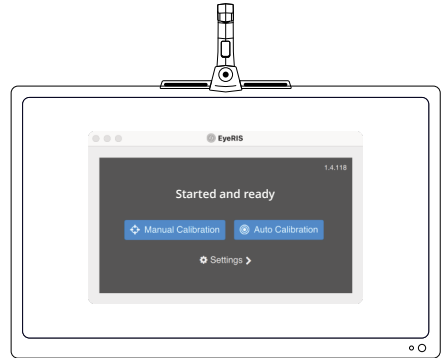
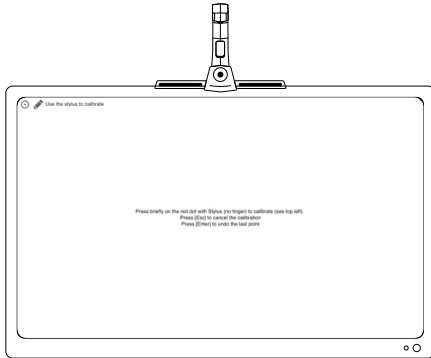
## Calibration

Launch EyeRIS drivers, click on **Manual Calibration** and use Stylus to calibrate



---

## Calibration continued...



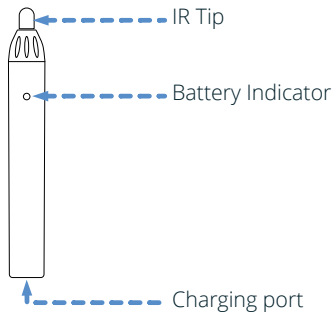
---

# Stylus

# 05

---

## Description



---

## Charging

Note: Stylus needs to be charged before using for the first time.

To charge stylus use the Mini USB cable and connect stylus to PC/ laptop





### **Registered Offices**

**Hannover:** Georgstraße 38, 30159, Hannover, Germany, Ph: +49 (0)511 93621 188

**Delhi NCR:** Plot no. C-98, Sector- 65, NOIDA, 201301, Ph: +91 (0)120 435 9466

**Bangalore:** 1140, Sector 7, HSR Layout, 560102, India, Ph: +91 (0)888 474 3388